



HOT AND COOKING MICROWAVES



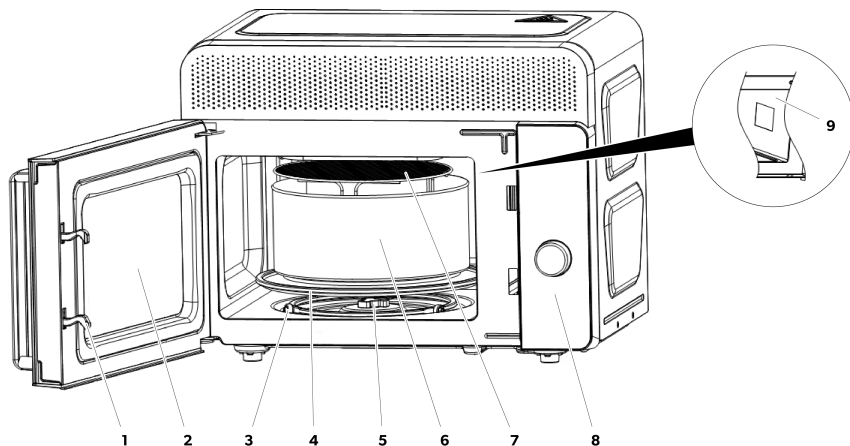
AC MWA0

EN	AirFryer Microwave Oven	
	Installation and Operating Manual.....	8

Copyright

© 2026 Dometic Group. The visual appearance of the contents of this manual is protected by copyright and design law. The underlying technical design and the products contained herein may be protected by design, patent or pending patent. The trademarks mentioned in this manual belong to Dometic Sweden AB. All rights are reserved.

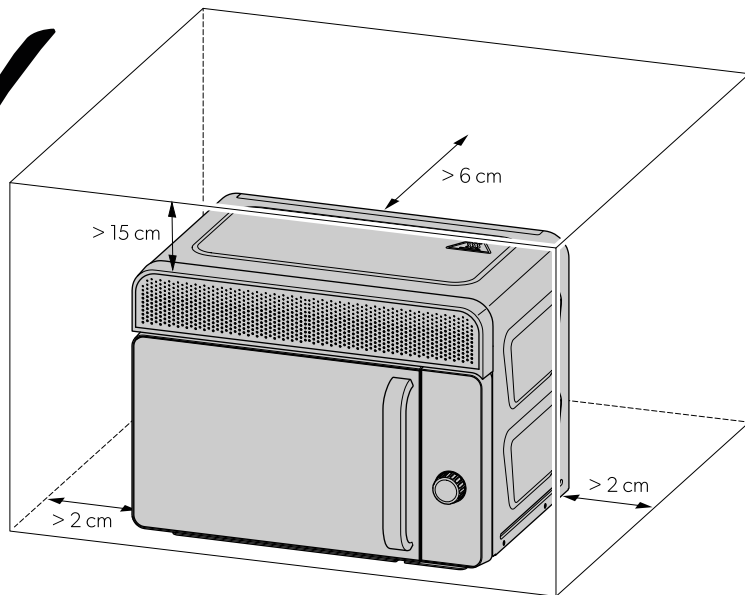
1



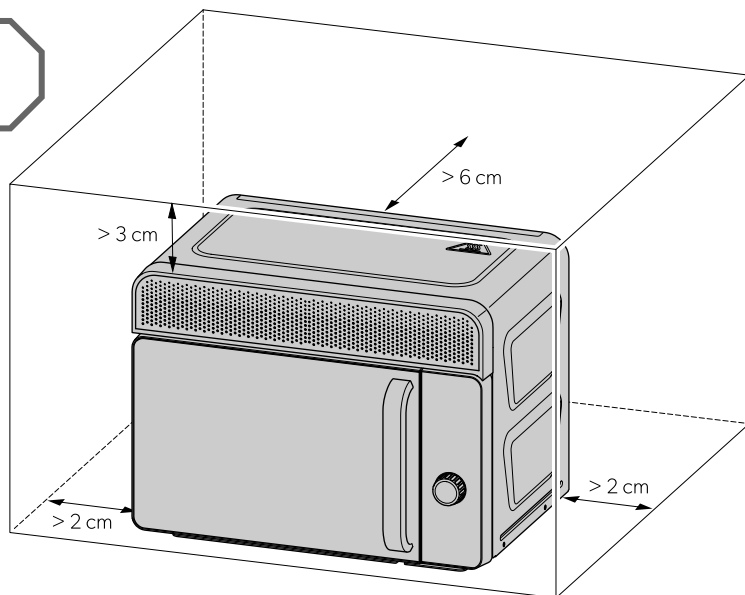
2



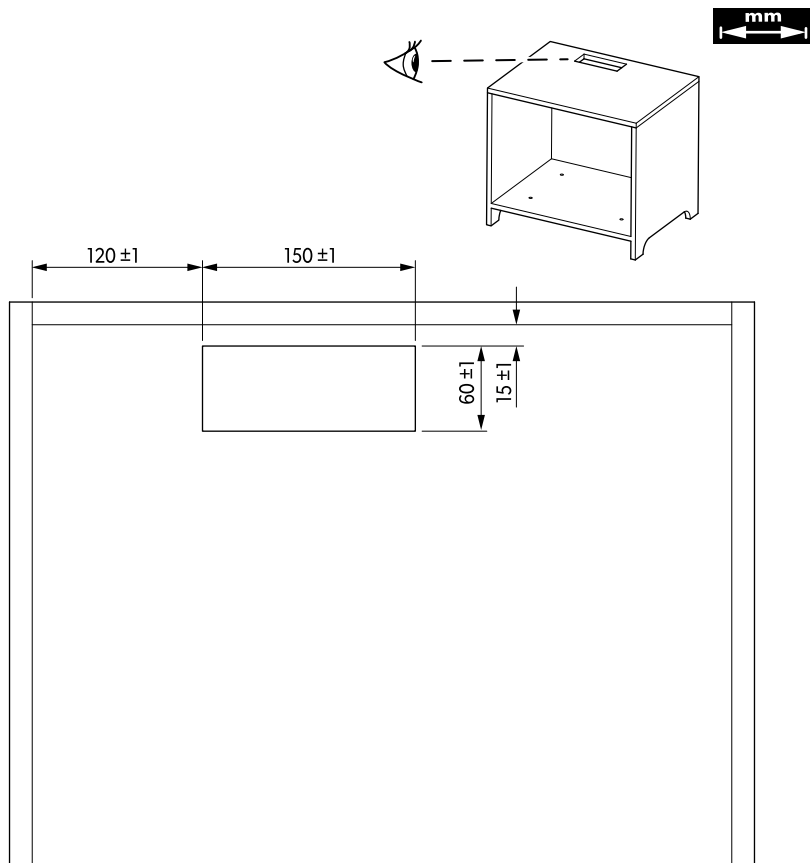
3



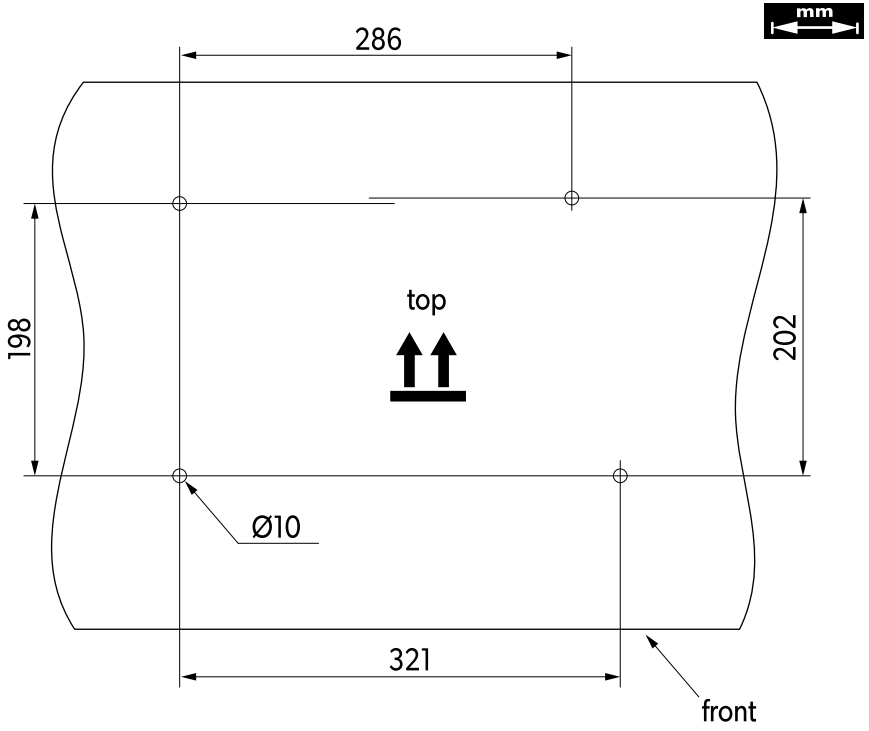
4



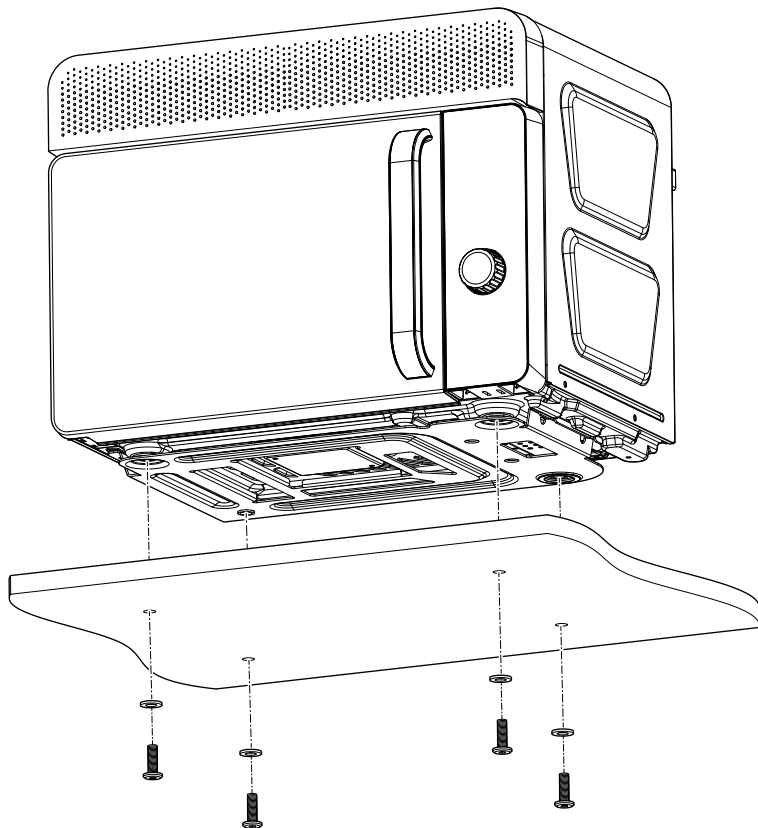
5



6



7



English

1	Important notes.....	8
2	Explanation of symbols.....	8
3	Explanation of symbols on the device.....	8
4	Safety instructions.....	9
5	Scope of delivery.....	10
6	Intended use.....	10
7	Technical description.....	11
8	Installation.....	11
9	Before first use.....	13
10	Operation.....	13
11	Cleaning.....	18
12	Maintenance.....	19
13	Warranty.....	20
14	Disposal.....	20
15	Technical data.....	20

1 Important notes

Please read these instructions carefully and follow all instructions, guidelines, and warnings included in this product manual in order to ensure that you install, use, and maintain the product properly at all times. These instructions **MUST** stay with this product.

By using the product, you hereby confirm that you have read all instructions, guidelines, and warnings carefully and that you understand and agree to abide by the terms and conditions as set forth herein. You agree to use this product only for the intended purpose and application and in accordance with the instructions, guidelines, and warnings as set forth in this product manual as well as in accordance with all applicable laws and regulations. A failure to read and follow the instructions and warnings set forth herein may result in an injury to yourself and others, damage to your product or damage to other property in the vicinity. This product manual, including the instructions, guidelines, and warnings, and related documentation, may be subject to changes and updates. For up-to-date product information, please visit documents.dometic.com.

2 Explanation of symbols

A signal word will identify safety messages and property damage messages, and also will indicate the degree or level of hazard seriousness.



WARNING!

> Indicates a hazardous situation that, if not avoided, could result in death or serious injury.



CAUTION!

> Indicates a hazardous situation that, if not avoided, could result in minor or moderate injury.



NOTICE!

> Indicates a situation that, if not avoided, could result in property damage.



NOTE Supplementary information for operating the product.

3 Explanation of symbols on the device



Caution! Risk of injury. Hot surface.

4 Safety instructions



WARNING! Electrocuting hazard

- > Do not operate the device if it is visibly damaged.
- > If the device's door or door seals are damaged, it must be replaced by the manufacturer, a service agent or a similarly qualified person in order to prevent safety hazards.
- > If the device's power cable is damaged, it must be replaced by the manufacturer, a service agent or a similarly qualified person in order to prevent safety hazards.
- > If the lamp inside the device is damaged, have it replaced by the manufacturer, a service agent or similarly qualified person in order to avoid safety hazards.
- > Do not make any alterations to this device.
- > Do not use the device outdoors.
- > This device may only be repaired by qualified personnel. Improper repairs can lead to considerable hazards.



WARNING! Fire hazard

- > When positioning the device, ensure the supply cord is not trapped or damaged.
- > Do not locate multiple portable socket-outlets or portable power supplies at the rear of the device.
- > Do not use the device when it is empty.
- > To reduce the risk of fire inside the device:
 - Only use utensils that are suitable for use in microwave ovens.
 - Metallic containers for food and beverages are not allowed during microwave cooking.
 - When heating food in plastic or paper containers, keep an eye on the oven due to the possibility of ignition.
 - Only use the device to heat foodstuff and beverages. Drying of food or clothing and heating of warming pads, slippers, sponges, damp cloth and similar may lead to risk of injury, ignition or fire.
 - If smoke is observed, switch off or unplug the appliance and keep the door closed in order to stifle any flames.
 - If sparks occur, switch off or unplug the appliance and keep the door closed in order to stifle any flames.
 - Keep the device and its door seals clean from food residues and grease.
- > Liquids and other foods must not be heated in sealed containers since they are liable to explode.



WARNING! Health hazard

- > This product is part of group B of the ISM devices. This group includes all ISM devices (industrial, scientific and medical) which generate high-frequency energy in the form of electromagnetic radiation. Class B devices are suitable for use in residential areas and in businesses directly connected to a low-voltage grid.
- > This device can be used by children aged from 8 years and above and persons with reduced physical, sensory or mental capabilities or lack of experience and knowledge if they have been given supervision or instruction concerning use of the cooling device in a safe way and understand the hazards involved.
- > Children must be supervised to ensure that they do not play with the device.
- > Cleaning and user maintenance must not be carried out by unsupervised children.
- > Never use the device with its door open.
- > Never remove the waveguide cover.



CAUTION! Burn hazard

- > Microwave heating of beverages can result in delayed eruptive boiling, therefore care must be taken when handling the container.

- > Eggs in their shell and whole hard-boiled eggs should not be heated in microwave ovens since they may explode, even after microwave heating has ended.
- > The contents of feeding bottles and baby food jars shall be stirred or shaken and the temperature checked before consumption, in order to avoid burns.
- > Cookware may become hot because of heat transferred from the heated food.
- > During use the appliance becomes hot. Care should be taken to avoid touching heating elements inside the oven.
- > Accessible parts may become hot during use. Young children should be kept away.



NOTICE! Damage hazard

- > Do not use the interior of the device for storage purposes.
- > Remove the turntable from the device and store it safely before travel.
- > Store the device in a dry and well ventilated place, when not in use for prolonged periods of time.

5 Scope of delivery

Quantity	Description
1	AC MWAO
1	Air-frying pot
1	Grill rack

6 Intended use

The Dometic AC MWAO is a 3 in 1 microwave oven, air fryer and electrical oven. The device is suitable for heating, defrosting and cooking foodstuff. The device is intended for use in recreational vehicles.

The device is suitable for free-standing and built-in installation.

The device is also suitable for use in household and similar applications such as:

- Staff kitchen areas in shops, offices and other working environments
- Farm houses
- Clients in hotels, motels, and other residential type environments
- Bed and breakfast type environments
- Catering and similar non-retail applications

The device is not intended to be operated by means of an external timer or separate remote-control system.

The device must not be used outdoors.

This product is only suitable for the intended purpose and application in accordance with these instructions.

This manual provides information that is necessary for proper installation and/or operation of the product. Poor installation and/or improper operation or maintenance will result in unsatisfactory performance and a possible failure.

The manufacturer accepts no liability for any injury or damage to the product resulting from:

- Incorrect installation, assembly or connection, including excess voltage
- Incorrect maintenance or use of spare parts other than original spare parts provided by the manufacturer
- Alterations to the product without express permission from the manufacturer
- Use for purposes other than those described in this manual

Dometic reserves the right to change product appearance and product specifications.

7 Technical description

7.1 Overview

 Fig. 1 on page 3

Item in	Description
1	Door lock
2	Viewing window
3	Rotating ring
4	Turntable
5	Rotating axis
6	Air-frying pot
7	Grill rack
8	Control panel
9	Waveguide cover

7.2 Control elements

 Fig. 2 on page 3

Element	Description
Microwave	Activates the microwave function
Defrost	Activates the defrost function
Reheat	Activates the reheat function
Oven	Activates the oven function
Air Fry	Activates the air fry function
Keep Warm	Activates the keep warm function
Rotary knob	Set cooking duration, foodstuff weight or clock
Menu	Activates the menu function
Combi Cooking	Activates the combi cooking function
STOP	Cancels active function or cooking process
START/+30s	Starts set cooking function

8 Installation




CAUTION! Risk of injury and damage hazard.

- > The device must be mounted to a surface so that it cannot slip or fall down during travel.






NOTICE! Damage hazard

- > Do not install the device into a piece of furniture if the minimum permissible clearance is not provided ( Fig. 4).






NOTE The 4 screws and washers required for installation are not supplied.

Observe the following notes:

- Ensure that the device has a sufficient clearance to surrounding structures:
 **Fig. 3 on page 4**
 - Observe the minimum permissible clearance for built-in installation:
 **Fig. 4 on page 4**
 - When installing into a piece of furniture where the clearance to the surrounding structure is not sufficient, an additional ventilation opening must be provided at the top of the furniture ( **Fig. 5**).
 - Ensure the device is placed in a dry and non-corrosive environment.
 - Ensure the device is not placed near a heat source.
 - Ensure the device is 85 ... 90 cm above the ground.
 - Ensure the device's supply cord is accessible.
 - Ensure the device is grounded.
1. Determine the suitable screw length according to the thickness of the mounting surface.

Thickness of the mounting surface	Suitable screw length (M8)	Suitable washer thickness (M8 x 18)
10 mm – 13 mm	30 mm	2 mm
14 mm	35 mm	3 mm
15 mm – 18 mm	35 mm	2 mm
19 mm	40 mm	3 mm
20 mm – 23 mm	40 mm	2 mm
24 mm	45 mm	3 mm
25 mm – 28 mm	45 mm	2 mm
29 mm	50 mm	3 mm
30 mm – 33 mm	50 mm	2 mm
34 mm	55 mm	3 mm
35 mm – 38 mm	55 mm	2 mm
39 mm	60 mm	3 mm
40 mm – 43 mm	60 mm	2 mm

2. **For built-in installation with no sufficient clearance:** Make an opening into the top of the furniture.
 **Fig. 5 on page 5**
3. Drill holes in appropriate positions into the mounting surface.
 **Fig. 6 on page 6**
4. Fix the device with suitable screws and washers through the bottom of the mounting surface.
 **Fig. 7 on page 7**

9 Before first use

- > Ensure all packaging material and protective films are removed.
- > Ensure the device is not visibly damaged.
- > Place the rotation ring and the turntable into the device.
- > To get rid of odors from manufacturing residues see Eliminating odors on page 19.

9.1 Setting the clock



NOTE The device displays a 24-hour clock.

1. Press and hold **Defrost** for ≥ 3 s.
The clock icon (🕒) is shown.
 - ✓ The hour indicator on the display is flashing.
2. Set the hours by using the rotary knob.
3. Press **Defrost** to confirm.
 - ✓ The minute indicator on the display is flashing.
4. Set the minutes by using the rotary knob.
5. Press **Defrost** to confirm.
 - ✓ The clock has been set.

10 Operation

10.1 Standby mode

In standby mode the device consumes less power and shows the time on the display.

The device enters standby mode automatically after being connected to a power supply, after completing a cooking process, or after not receiving an input for ≥ 15 min .

During a cooking process, press **STOP** twice to reset the device to standby mode.

Turning the display off and on

In standby mode the display of the device can be turned off to consume even less power.

The device is in standby mode.

- > Press **STOP** .
 - ✓ The display turns off.
- > Press any button or turn the rotary knob slightly.
 - ✓ The display turns on and the device returns to standby mode.

10.2 Choosing the right cookware



WARNING! Flying sparks and fire hazard

- > Only use the supplied air-frying pot in combination with the grill rack when using the air-frying function.
- > Never use metal cookware, cookware with a metallic rim or metallic decorations.
- > The only permitted metal cookware is the supplied air-frying pot and grill rack for use with the air-frying and oven functions.
- > Never use flammable cookware.
- > Never heat food or liquid in sealed or necked containers.
- > Never use glazed ceramic cookware.

- > Never use recycled paper products.
- > Heat-resistant cookware must withstand temperatures of $\geq 120^{\circ}\text{C}$.
- > Use round or oval cookware to prevent food from overheating in the corners of the cookware.

Only use cookware that is microwave-safe and suitable for your intended preparation method.

Cookware	Microwave-safe	Oven-safe	Combina- tion-cooking-safe
Air-frying pot (supplied)	✗	✓	✗
Grill rack (supplied)	✗	✓	✗
Heat resistant glass	✓	✓	✓
Non-heat-resistant glass	✗	✗	✗
Heat-resistant ceramic	✓	✓	✓
Microwave-safe plastic	✓	✗	✗
Paper towels	✓	✗	✗
Metal	✗	✗	✗
Aluminum foil	✗	✗	✗
Bamboo, Wood	✗	✗	✗

10.3 Notes on preparing food

- > Place thicker areas towards the outside of the dish, the thinner part towards the center and spread it evenly. Do not overlap if possible.
- > Pay attention to the cooking time. Always cook for the shortest indicated time and increase it if necessary. Over cooking may result in smoke and burns.
- > Use microwave-safe plastic covers during cooking. Covers prevent spraying and ensure even cooking.
- > Turn foods such as chicken and hamburger once during the cooking process. If applicable, stir it from the outside to the center of the dish once or twice during cooking.
- > After the cooking process is finished, leave the food in the device for an adequate length of time, to allow it to complete its cooking cycle and to cool down in a gradual manner.
- > When heating liquid food or beverages, fill the used container to a maximum of two-thirds of its capacity.

10.4 Child lock function

When this function is active, the control panel is locked and all buttons are unusable.

1. Press and hold **STOP** for ≥ 3 s
The child lock icon (🔒) is shown.
 - ✓ The child lock function is activated.
2. Press and hold **STOP** for ≥ 3 s
The child lock icon (🔒) is no longer shown.
 - ✓ The child lock function is deactivated.

10.5 Microwave



WARNING! Fire hazard

> Only use cookware suitable for use with the microwave function.

Power level	Power output	Application
100P	1150 W	Quick and thorough cooking
90P	1035 W	
80P	920 W	Medium express cooking
70P	805 W	
60P	690 W	
50P	575 W	Steaming
40P	460 W	
30P	345 W	
20P	230 W	
10P	115 W	Keeping warm

- Press **Microwave** repeatedly to set the desired power level.
The power level range is 10P–100P.
 - ✓ The microwave icon (☞) is shown.
- Set the cooking duration by using the rotary knob.
The max. cooking duration is “60:00” (60 min).
- Press **START/+30S** to start the cooking process.
 - ✓ A buzz sounds at completion.
 - Press **START/+30S** during the cooking process to increase the cooking duration by 30 s.
 - Press **STOP** during the cooking process to pause it.
 - Press **START/+30S** during a paused cooking process to resume it.
 - Press **STOP** during a paused cooking process to cancel it and return to standby mode.

Express cooking

- > Press **START/+30S** to immediately start a cooking process for 30 s.
- ✓ A buzz sounds at completion.
- Press **START/+30S** during the cooking process to increase the cooking duration by 30 s.

10.6 Defrost



WARNING! Fire hazard

> Only use cookware suitable for use with the microwave function.

- Press **Defrost** repeatedly to select the desired defrosting mode.
 - dEF1: Defrosting by duration.
 - dEF2: Defrosting by weight.

- ✓ The defrost icon is shown (❄).
When defrosting by weight, the weight icon (g) is also shown.
- 2. Set the defrosting duration or weight of the frozen food by using the rotary knob.
The max. defrosting duration is "60:00" (60 min).
The defrosting food weight range is 200 ... 3000 g.
- 3. Press **START/+30s** to start the defrosting process.
In dEF2 mode: A beep sounds periodically to indicate when to turn over the defrosting food.
- ✓ A buzz sounds at completion.
 - In dEF1 mode: Press **START/+30s** during the defrosting process to increase the defrosting duration by 30 s.
 - Press **STOP** during the defrosting process to pause it.
 - Press **START/+30s** during a paused defrosting process to resume it.
 - Press **STOP** during a paused defrosting process to cancel it and return to standby mode.

10.7 Reheat



WARNING! Fire hazard

- > Only use cookware suitable for use with the microwave function.

1. Press **Reheat** to select the reheat function.
- ✓ The reheat icon (🔥) and the weight icon (g) are shown.
2. Set the reheating food weight by using the rotary knob.
Options are: 200 g, 400 g, 600 g, 800 g, 1000 g.
3. Press **START/+30s** to start the cooking process.
- ✓ A buzz sounds at completion.
 - Press **STOP** during the reheat process to pause it.
 - Press **START/+30s** during a paused reheat process to resume it.
 - Press **STOP** during a paused reheat process to cancel it and return to standby mode.

10.8 Oven



WARNING! Fire hazard

- > Only use cookware suitable for use with the oven function.
- > Ensure that the cookware is not in contact with the heating element.

1. Press **Oven** repeatedly to select the desired cooking temperature.
The temperature range is 90 ... 180 °C in intervals of 10 °C.
- ✓ The oven icon (🔥) and the temperature icon (°C) are shown.
2. Set the cooking duration by using the rotary knob.
The max. cooking duration is "60:00" (60 min).
3. Press **START/+30s** to start the cooking process.
- ✓ A buzz sounds at completion.
 - Press **START/+30s** during the cooking process to increase the cooking duration by 30 s.
 - Press **STOP** during the cooking process to pause it.
 - Press **START/+30s** during a paused cooking process to resume it.

- Press **STOP** during a paused cooking process to cancel it and return to standby mode.

10.9 Air-fry



WARNING! Fire hazard

- > Only use the supplied air-frying pot and grill rack to cook with the air-fry function.
- > Ensure that the cookware is not in contact with the heating element.

1. Press **Air Fry** repeatedly to select the desired cooking temperature.
The temperature range is 90 ... 200 °C in intervals of 10 °C .
 - ✓ The air-fry icon (🍷) and the temperature icon (°C) are shown.
2. Set the cooking duration by using the rotary knob.
The max. cooking duration is "60:00" (60 min).
3. Press **START / +30s** to start the cooking process.
 - ✓ A buzz sounds at completion.
 - Press **START / +30s** during the cooking process to increase the cooking duration by 30 s .
 - Press **STOP** during the cooking process to pause it.
 - Press **START / +30s** during a paused cooking process to resume it.
 - Press **STOP** during a paused cooking process to cancel it and return to standby mode.

10.10 Keep warm



WARNING! Fire hazard

- > Only use cookware suitable for use with the oven function.

1. Press **Keep Warm** repeatedly to select the desired temperature to be kept.
The temperature range is 65 ... 85 °C in intervals of 10 °C .
 - ✓ The air-fry icon (🍷) is shown.
2. Set the keeping-warm duration by using the rotary knob.
The max. keeping-warm duration is "02:00" (2 h).
3. Press **START / +30s** to start the cooking process.
 - ✓ A buzz sounds at completion.
 - Press **STOP** during the keeping-warm process to pause it.
 - Press **START / +30s** during a paused keeping-warm process to resume it.
 - Press **STOP** during a paused keeping-warm process to cancel it and return to standby mode.

10.11 Auto cooking



NOTE

- Ensure the temperature of your food is 20 ... 25 °C prior to cooking.
- Temperature, weight and shape of the food will greatly influence the cooking result. Adjust cooking duration for best results.

Display	Kind of food	Quantity options
A.1	Potato	250 g , 500 g , 750 g

Display	Kind of food	Quantity options
A.2	Pasta	50 g, 100 g, 150 g
A.3	Pizza	200 g, 400 g
A.4	Popcorn	100 g
A.5	Vegetable	200 g, 400 g, 600 g
A.6	Beverage	1 cup, 2 cups, 3 cups (1 cup equals approx. 250 mL)
A.7	Meat	200 g, 400 g, 600 g
A.8	Fish	200 g, 400 g, 600 g

1. Press **Menu** repeatedly to select the desired kind of food to cook.
 - ✓ The auto cooking icon (A) and the weight icon (g) are shown.
2. Set the quantity of the food by using the rotary knob.
3. Press **START/+30s** to start the cooking process.
 - ✓ A buzz sounds at completion.
 - Press **STOP** during the cooking process to pause it.
 - Press **START/+30s** during a paused cooking process to resume it.
 - Press **STOP** during a paused cooking process to cancel it and return to standby mode.

10.12 Combination cooking (microwave oven)



WARNING! Fire hazard

- > Only use cookware suitable for use with the combination cooking function.

The combination cooking function combines the microwave function (30%) and the air-fry function (70%).

1. Press **Combi Cooking** repeatedly to select the desired temperature to be kept.
 - The temperature range is 90 ... 200 °C in intervals of 10 °C.
 - ✓ The microwave icon (≡) and the air-fry icon (⊕) are shown.
2. Set the cooking duration by using the rotary knob.
 - The max. cooking duration is "60:00" (60 min).
3. Press **START/+30s** to start the cooking process.
 - ✓ A buzz sounds at completion.
 - Press **STOP** during the combination cooking process to pause it.
 - Press **START/+30s** during a paused combination cooking process to resume it.
 - Press **STOP** during a paused combination cooking process to cancel it and return to standby mode.

11 Cleaning



WARNING! Electrocuting hazard

- > Disconnect the device from the power supply before each cleaning.



WARNING! Fire hazard

- > Clean the device regularly to keep it free from any food residues and grease.

**NOTICE! Damage hazard**


- > Do not use steam to clean the device.
- > Let the turntable cool down for ≥ 20 min before putting it into cold water.
- > Ensure no detergent residue is left on the door seals.

**NOTICE! Damage hazard**

- > Never clean the device under running water or in dish water.
- > Do not use sharp or hard objects, abrasive cleaning agents or bleach during cleaning as these may damage the device.



NOTE Consider activating the child lock function before cleaning to prevent accidental operation (Child lock function on page 14).

1. Remove the turntable, rotating ring and rotating axis ( Fig. **1**, **3**, **4**, **5**) from the device and wash them with mild soap water.
Allow to dry thoroughly.
2. Clean the inside and outside of the of the device with a damp cloth.
Ensure to clean the door seals thoroughly.
3. Dry the inside and outside of the device with a dry cloth.
4. Insert the turntable, rotating ring and rotating axis back into the device.

11.1 Eliminating odors

Over time, the device may absorb odors from the food.

- > The following measures reduce those odors.

Step 1	Step 2
Place a cup filled with several lemon slices into the device.	Start a cooking process on a high power level for 2 ... 3 min .
Place a cup of black tea into the device.	Start a cooking process on a high power level for 2 ... 3 min .
Place some orange peels into the device.	Start a cooking process on a high power level for 1 min .

12 Maintenance



If the lamp inside the device is damaged, have it replaced by the manufacturer, a service agent or similarly qualified person in order to avoid safety hazards.

To check if the device is working properly, perform the following test:

1. Place a glass filled with approx. 150 mL of water into the device.
2. Close the device door and start a cooking process for 1 min .
3. Ensure the following:
 - The lamp inside the device is lit.
 - The cooling fan works (check rear ventilation openings).

- The turntable inside the device rotates.
- The water is hot after the cooking process is finished.

4. If any of the above functions is not ensured, contact an authorized service technician.

13 Warranty

The statutory warranty period applies. If the product is defective, please contact the manufacturer's branch in your country (see dometic.com/dealer) or your retailer.

For repair and warranty processing, please include the following documents when you send in the device:

- A copy of the receipt with purchasing date
- A reason for the claim or description of the fault

Note that self-repair or nonprofessional repair can have safety consequences and might void the warranty.

14 Disposal



Place the packaging material in the appropriate waste bin wherever possible. This separation is necessary, as packaging is a valuable resource and improper disposal may impact human health and the environment.



The crossed-out wheeled bin indicates that the product is electrical or electronic equipment and must be collected separately for proper treatment, recovery, and recycling. **The consumer is legally obliged to dispose of properly any electrical or electronic equipment, separately from general household waste!**

This separation is necessary, as electrical appliances are valuable resources and may contain substances that are harmful to humans and the environment.

To finally dispose of the product, ask your local recycling center or specialist dealer for details about how to do this in accordance with the applicable disposal regulations.

The product can be disposed free of charge.

15 Technical data

	AC MWA0
Rated voltage	230 V ~ 50 Hz
Air-fry input power	1500 W
Microwave input power	1150 W
Microwave frequency	2450 MHz
Capacity	20 L
Dimensions (external)	453 × 362 × 347 mm
Weight	14.9 kg

dometic.com

**YOUR LOCAL
DEALER**

dometic.com/dealer

**YOUR LOCAL
SUPPORT**

dometic.com/contact

**YOUR LOCAL
SALES OFFICE**

dometic.com/sales-offices
