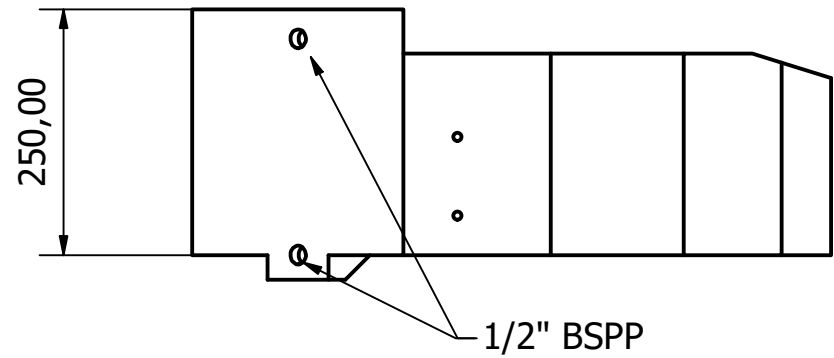
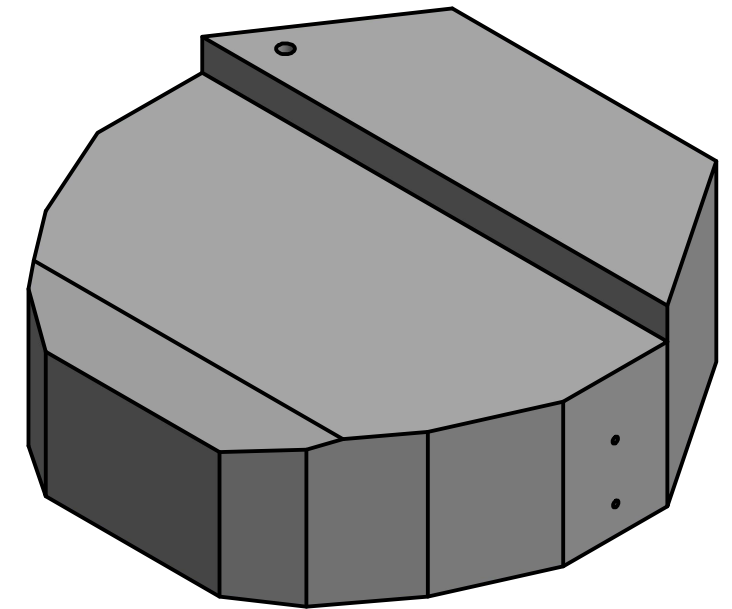
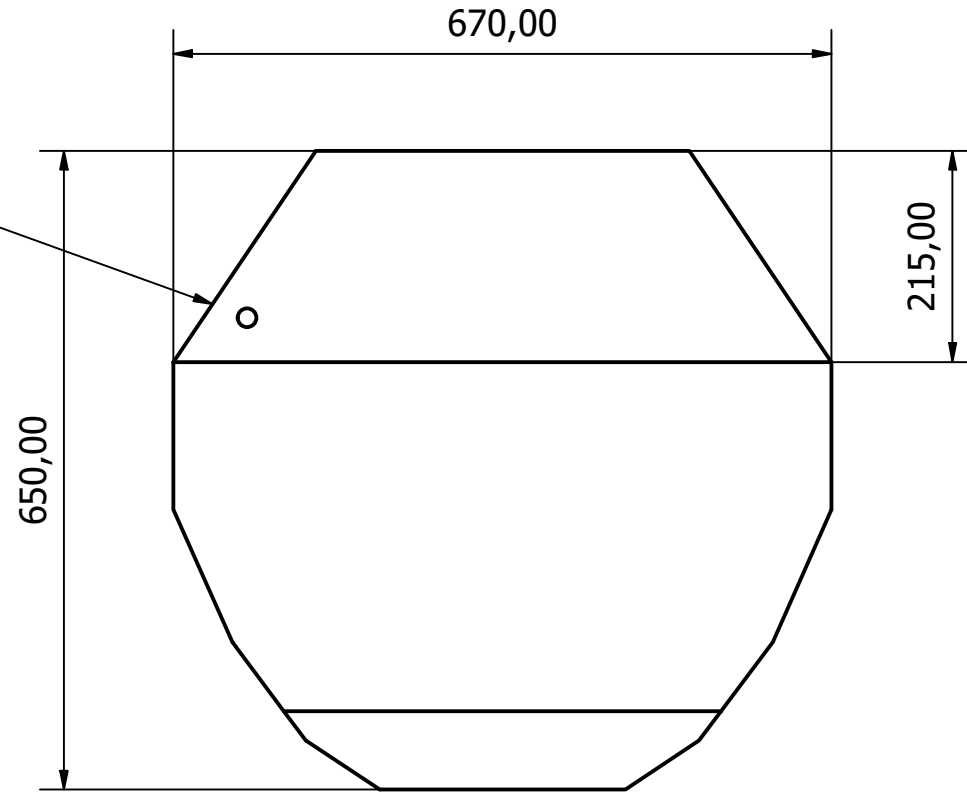


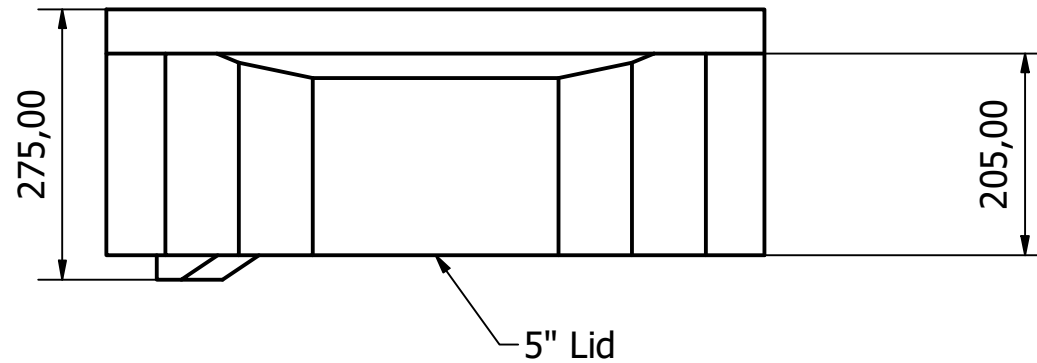
DO NOT SCALE UNLESS STATED - IF IN DOUBT ASK

Material	
Qty Req'd	

1/2" BSPP



1/2" BSPP



5" Lid

REV	ZONE	DESCRIPTION	DATE

**wydale**  
 Wydale Plastics Ltd  
 Cathole Bridge Rd,  
 Crewkerne,  
 Somerset,  
 TA18 8RF  
 Tel: 01460 73212  
 Fax: 01460 77348

THIS DRAWING AND THE INFORMATION THEREON IS THE SOLE PROPERTY OF WYDALE PLASTICS LTD AND SHALL NOT BE COPIED OR REPRODUCED WITHOUT THE CONSENT OF WYDALE PLASTICS LTD. DIMENSIONS ARE ALL IN MM UNLESS OTHERWISE STATED.  
 ALL TOLERANCES +/- 1MM UNLESS STATED.

CUSTOMER: Wydale Plastics		
PROJECT: 68 Litre VW Transporter Spare Wheel Tank		
DRAWN DATE: 21/10/2021	DESIGNED BY: joshv	CHECKED BY:
SHEET 1 OF 1	REV A	DRAWING NO:

